



Thank you for choosing the Fusilier. As with all our knives we have worked hard to bring you a knife made from the most durable materials we could find and crafted them into a tool designed to meet the needs of a fully trained and responsible diver.

SPECIAL FEATURES

Rust Free Blades are ground from Underwater Kinetics' own high strength, low corrosion HYDRALLOY™.

Small Size The Fusilier is designed for absolute minimum size in order to insure a full feature knife with the least hindrance to underwater movement.

Full Feature Blade The Fusilier blade includes a straight cutting edge, serrated rope cutter edge, blunt prying tip and line cutter hook. Although HYDRALLOY™ will not rust, it is more flexible than steels that rust, and care should be taken not to bend the blade when prying.

Push Button Release Grab and pull push button release system permits quick access to the Fusilier with one hand. Release buttons are color accented for easy identification.

BC or Leg Strap Attachment The Fusilier can be attached to the ankle with straps provided or to your BC using grommeted mounting holes included in the BC.

Wet Grip Handle The handle of the Fusilier is formed from a unique resin which does not become slippery when wet. This permits better blade control and reduces the likelihood of dropping the knife.

ATTACHING YOUR FUSILIER

BC Attachment

Some models of buoyancy compensators (BCs) include holes reinforced with grommets which can be used to attach a dive knife or BC knife. The Fusilier includes two BC grommet screws for attaching the Fusilier directly to a BC. The distance between the holes should be approximately 3.85 inches (98 mm).

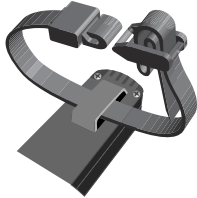
To install the Fusilier on a BC

- 1. Locate the two knife mounting holes on the BC and orient the holes in the back of the Fusilier sheath to match the holes in the BC.
- 2. Insert the threaded portion of a BC grommet screw through one of the BC holes and screw it into the Fusilier sheath. Repeat this with the second screw.

QUICK RELEASE KNIFE STRAPS

Two quick release knife straps are included with the Fusilier. Simply adjust the length as described below, then you can snap your Fusilier knife on securely and remove it quickly with little effort.

- 1. Thread one of the two knife straps through the slot provided in the back of the knife sheath
- 2. Feed the soft tip of the strap through loop portion of the quick release clasp as shown.
- 3. Install the other strap in a similar way.
- 4. Place the sheath on the inside of your lower leg and clip the hook of each strap into the corresponding loop of the clasp.
- 5. If a strap does not fit, adjust the length of the strap fed through the loop section of the clasp.



HYDRALLOY™

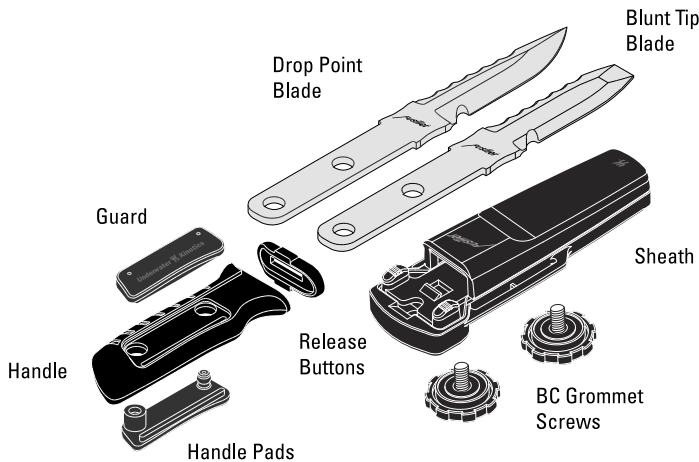
We gave ourselves an assignment: Create a dive knife that keeps a keen edge comparable to 420SS, resists corrosion like 316SS and is not made of titanium. Our solution — HYDRALLOY™. By combining a unique blend of alloys and proprietary finishing techniques, we have developed a superior new brand of stainless steel for dive knives

CARING FOR YOUR FUSILIER

Removal from the sheath The best way to remove the Fusilier from its sheath is to grab the handle and let the thumb and index finger push the two rubber buttons on either side of the handle. Pressing either or both buttons will release the knife from the sheath.

Rinse with fresh water As with all diving equipment the fusilier should be rinsed in fresh water after each diving session and before storage.

Removal of the blade from the handle Pry either of the two colored pads out of the handle. They are snapped together in the handle to hold the blade and guard in place. Wrap the blade in a towel or heavy material, and then pull the blade out of the handle for cleaning.



CAUTION

Blades are sharp and can cause severe lacerations. Always cover blade surfaces with a towel or heavy material when taking the knife apart or during assembly.

Limited Lifetime Warranty

Underwater Kinetics products are engineered for maximum performance and durability. All products carry a Limited Lifetime Warranty to the original retail purchaser to be free from defective material and workmanship under normal and intended use. In addition, the Underwater Kinetics Limited Warranty covers materials used in its products to the original purchaser, from the date of purchase, as follows: plastics for 10 years; rubber for 3 years, LED and electronics for 1 year, lithium ion battery for 90 days.

In the event the original retail purchaser detects a defect in the material or workmanship, the product along with proof of purchase date should be returned to an authorized Underwater Kinetics dealer or directly to Underwater Kinetics with the postage prepaid. Underwater Kinetics agrees to repair or replace at Underwater Kinetics' sole discretion any product found to be defective in material or workmanship within the time period specified above. For the complete Limited Lifetime Warranty write to Underwater Kinetics or go to the web site www.underwaterkinetics.com.

Address all correspondence and returns to:
Underwater Kinetics
13400 Danielson Street
Poway, CA 92064



Thank you for choosing the Fusilier. As with all our knives we have worked hard to bring you a knife made from the most durable materials we could find and crafted them into a tool designed to meet the needs of a fully trained and responsible diver.

SPECIAL FEATURES

Rust Free Blades are ground from Underwater Kinetics' own high strength, low corrosion HYDRALLOY™.

Small Size The Fusilier is designed for absolute minimum size in order to insure a full feature knife with the least hindrance to underwater movement.

Full Feature Blade The Fusilier blade includes a straight cutting edge, serrated rope cutter edge, blunt prying tip and line cutter hook. Although HYDRALLOY™ will not rust, it is more flexible than steels that rust, and care should be taken not to bend the blade when prying.

Push Button Release Grab and pull push button release system permits quick access to the Fusilier with one hand. Release buttons are color accented for easy identification.

BC or Leg Strap Attachment The Fusilier can be attached to the ankle with straps provided or to your BC using grommeted mounting holes included in the BC.

Wet Grip Handle The handle of the Fusilier is formed from a unique resin which does not become slippery when wet. This permits better blade control and reduces the likelihood of dropping the knife.

ATTACHING YOUR FUSILIER

BC Attachment

Some models of buoyancy compensators (BCs) include holes reinforced with grommets which can be used to attach a dive knife or BC knife. The Fusilier includes two BC grommet screws for attaching the Fusilier directly to a BC. The distance between the holes should be approximately 3.85 inches (98 mm).

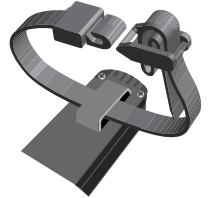
To install the Fusilier on a BC

- 1. Locate the two knife mounting holes on the BC and orient the holes in the back of the Fusilier sheath to match the holes in the BC.
- 2. Insert the threaded portion of a BC grommet screw through one of the BC holes and screw it into the Fusilier sheath. Repeat this with the second screw.

QUICK RELEASE KNIFE STRAPS

Two quick release knife straps are included with the Fusilier. Simply adjust the length as described below, then you can snap your Fusilier knife on securely and remove it quickly with little effort.

- 1. Thread one of the two knife straps through the slot provided in the back of the knife sheath
- 2. Feed the soft tip of the strap through loop portion of the quick release clasp as shown.
- 3. Install the other strap in a similar way.
- 4. Place the sheath on the inside of your lower leg and clip the hook of each strap into the corresponding loop of the clasp.
- 5. If a strap does not fit, adjust the length of the strap fed through the loop section of the clasp.



HYDRALLOY™

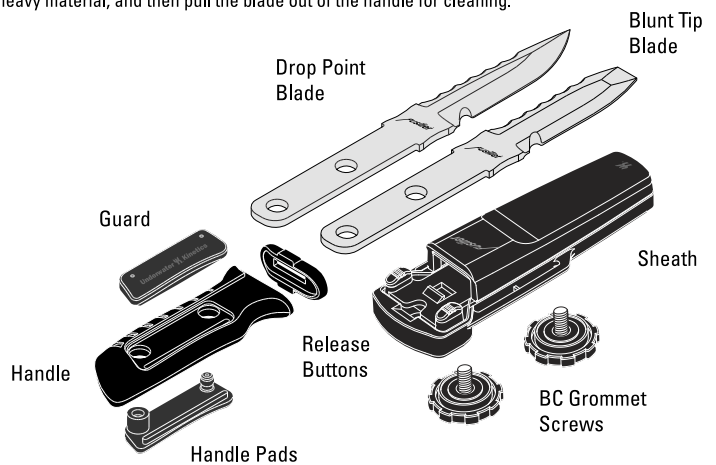
We gave ourselves an assignment: Create a dive knife that keeps a keen edge comparable to 420SS, resists corrosion like 316SS and is not made of titanium. Our solution — HYDRALLOY™. By combining a unique blend of alloys and proprietary finishing techniques, we have developed a superior new brand of stainless steel for dive knives

CARING FOR YOUR FUSILIER

Removal from the sheath The best way to remove the Fusilier from its sheath is to grab the handle and let the thumb and index finger push the two rubber buttons on either side of the handle. Pressing either or both buttons will release the knife from the sheath.

Rinse with fresh water As with all diving equipment the fusilier should be rinsed in fresh water after each diving session and before storage.

Removal of the blade from the handle Pry either of the two colored pads out of the handle. They are snapped together in the handle to hold the blade and guard in place. Wrap the blade in a towel or heavy material, and then pull the blade out of the handle for cleaning.



CAUTION

Blades are sharp and can cause severe lacerations. Always cover blade surfaces with a towel or heavy material when taking the knife apart or during assembly.

European Warranty

Underwater Kinetics warrants that this product is free from defects in materials and manufacturing for a period of 10 years from the date of purchase under normal use. In addition, the Underwater Kinetics Limited Warranty covers materials used in its products to the original purchaser, from the date of purchase, as follows: plastics for 10 years; rubber for 3 years, LED and electronics for 1 year, rechargeable batteries for 90 days (batteries and lamps are not manufactured by Underwater Kinetics). This warranty is limited to the first purchaser of the product and is not transferable. This product is not warranted if it is modified or used inappropriately.

If the original retail purchaser detects a defect in the material or workmanship, the product along with proof of purchase date should be returned (postage prepaid) to an authorized Underwater Kinetics dealer in the area or directly to UKE Underwater Kinetics Europe. Underwater Kinetics agrees to repair or replace at Underwater Kinetics' sole discretion any product found to be defective in material or workmanship within the time period specified above. This warranty is not valid when handled by third parties which are not authorized by Underwater Kinetics or its distributors. Nothing contained within these warranty terms detracts from your Statutory Rights.

Address all correspondence and returns to:
UKE Underwater Kinetics Europe GmbH
Beethovenstr. 279
42655 Solingen, Germany
Tel.: +49 212 242 13-0 E-Mail: info@uwkinetics.eu
Fax: +49 212 242 13-30 web: www.uwkinetics.eu