

Thank you for choosing our Blue Tang dive knife. We have worked hard to bring you a knife made from the most durable materials we could find and crafted them into a tool designed to meet the needs of a fully trained and responsible diver.

SPECIAL FEATURES

Signaling pommel from Titanium or HYDRALLOY™ is insulated from blade to eliminate metal to metal corrosion

Quick disassembly for cleaning. No tools required!

Hooked edge line cutter

Large choil for power grip on blade

Serrated edge for cutting rope and line

Straight edge for slicing

Two knife models: Drop Point or Blunt Tip

Two blade alloy options: Titanium or HYDRALLOY™

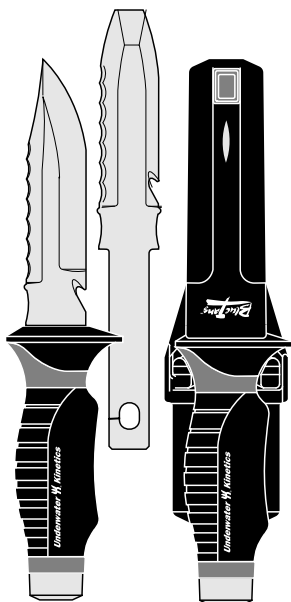
Ozone resistant quick release knife straps included

Backed by Underwater Kinetics' warranty and reputation for quality and service

Comfortable Grip The Blue Tang fits comfortably in the palm of either hand. A soft rubber thumb guard is provided for the thumb to press into when slicing. For the most powerful grip, you can choke up on the handle and allow the thumb and index finger to wrap firmly around the choil of the blade.

Titanium or HYDRALLOY™ Blade Material A dive knife should be sharp, corrosion resistant and durable. Titanium is light weight, will not corrode and holds an edge better than many softer stainless steels. It is also the most expensive. HYDRALLOY™ is less expensive, extremely corrosion resistant and holds an edge as well as many stainless steels which corrode.

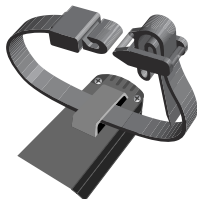
One Hand Operation To release the Blue Tang from the sheath, depress two buttons located on either side of the handle with the thumb and index finger. Pressing one button accidentally will not release the knife. Pushing the knife back into its sheath locks the handle in place.



QUICK RELEASE KNIFE STRAPS

Quick Release Knife Straps Two quick release knife straps are included with the Blue Tang. Simply adjust the length as described below, then you can then snap your Blue Tang knife on securely and remove it quickly with little effort.

1. Thread one of the two knife straps through the slot provided in the back of the knife sheath
2. Feed the soft tip of the strap through loop portion of the quick release clasp as shown.
3. Install the other strap in a similar way.
4. Place the sheath on the inside of your lower leg and clip the hook of each strap into the corresponding loop of the clasp.
5. If a strap does not fit, adjust the length of the strap fed through the loop section of the clasp.



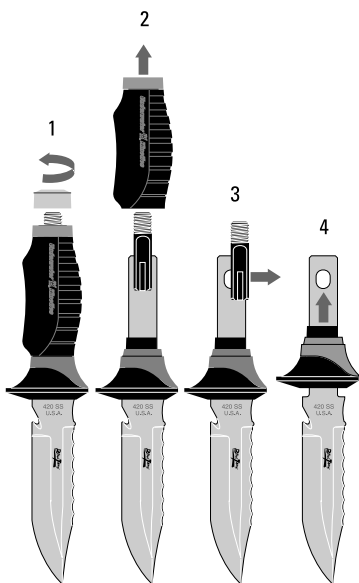
CARING FOR YOUR BLUE TANG

Although the Blue Tang is made from the best materials to withstand the harsh marine environment, a little extra care will increase the useful life of this knife.

Rinse before storage Before putting the Blue Tang away between dive trips, remove the handle as shown on the right and rinse with fresh water. This will prevent growth of salt crystals and long term rust of steel blades under the handle. Titanium will not rust, but salt crystals will still accumulate.

Keep the blade sharp A dive knife is often used as a tool for activities beyond cutting and slicing. Acts such as prying, hammering and stabbing, etc. can destroy the cutting edge of the knife. When you really need to use the knife for cutting the performance will not be as expected. We recommend that you keep the blade sharp using the sharpening steels and stones used for other cutlery. There are many techniques published in books and on the web.

Inspect the sheath before diving Before diving inspect the knife locking mechanism of the sheath. Insert the knife and make sure that it locks in place. If not look for mud or seaweed in the mechanism which may prevent proper operation.



CAUTION

Blades are sharp and can cause severe lacerations. Always cover blade surfaces with a towel or heavy material when taking the knife apart or during assembly.

Limited Lifetime Warranty

Underwater Kinetics products are engineered for maximum performance and durability. All products carry a Limited Lifetime Warranty to the original retail purchaser to be free from defective material and workmanship under normal and intended use. In addition, the Underwater Kinetics Limited Warranty covers materials used in its products to the original purchaser, from the date of purchase, as follows: plastics for 10 years; rubber for 3 years, LED and electronics for 1 year, lithium ion battery for 90 days.

In the event the original retail purchaser detects a defect in the material or workmanship, the product along with proof of purchase date should be returned to an authorized Underwater Kinetics dealer or directly to Underwater Kinetics with the postage prepaid. Underwater Kinetics agrees to repair or replace at Underwater Kinetics' sole discretion any product found to be defective in material or workmanship within the time period specified above. For the complete Limited Lifetime Warranty write to Underwater Kinetics or go to the web site www.underwaterkinetics.com.

Address all correspondence and returns to:
Underwater Kinetics
13400 Danielson Street
Poway, CA 92064

Thank you for choosing our Blue Tang dive knife. We have worked hard to bring you a knife made from the most durable materials we could find and crafted them into a tool designed to meet the needs of a fully trained and responsible diver.

SPECIAL FEATURES

Signaling pommel from Titanium or HYDRALLOY™ is insulated from blade to eliminate metal to metal corrosion

Quick disassembly for cleaning. No tools required!

Hooked edge line cutter

Large choil for power grip on blade

Serrated edge for cutting rope and line

Straight edge for slicing

Two knife models: Drop Point or Blunt Tip

Two blade alloy options: Titanium or HYDRALLOY™

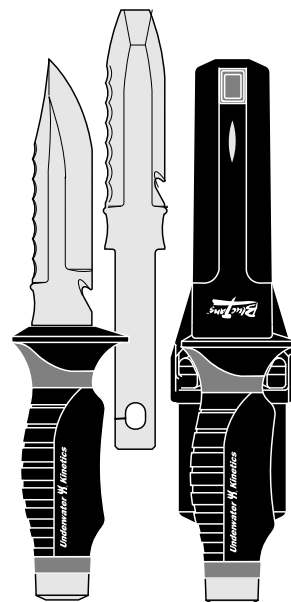
Ozone resistant quick release knife straps included

Backed by Underwater Kinetics' warranty and reputation for quality and service

Comfortable Grip The Blue Tang fits comfortably in the palm of either hand. A soft rubber thumb guard is provided for the thumb to press into when slicing. For the most powerful grip, you can choke up on the handle and allow the thumb and index finger to wrap firmly around the choil of the blade.

Titanium or HYDRALLOY™ Blade Material A dive knife should be sharp, corrosion resistant and durable. Titanium is light weight, will not corrode and holds an edge better than many softer stainless steels. It is also the most expensive. HYDRALLOY™ is less expensive, extremely corrosion resistant and holds an edge as well as many stainless steels which corrode.

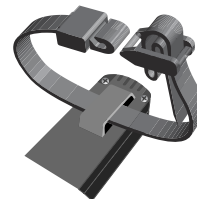
One Hand Operation To release the Blue Tang from the sheath, depress two buttons located on either side of the handle with the thumb and index finger. Pressing one button accidentally will not release the knife. Pushing the knife back into its sheath locks the handle in place.



QUICK RELEASE KNIFE STRAPS

Quick Release Knife Straps Two quick release knife straps are included with the Blue Tang. Simply adjust the length as described below, then you can then snap your Blue Tang knife on securely and remove it quickly with little effort.

1. Thread one of the two knife straps through the slot provided in the back of the knife sheath
2. Feed the soft tip of the strap through loop portion of the quick release clasp as shown.
3. Install the other strap in a similar way.
4. Place the sheath on the inside of your lower leg and clip the hook of each strap into the corresponding loop of the clasp.
5. If a strap does not fit, adjust the length of the strap fed through the loop section of the clasp.



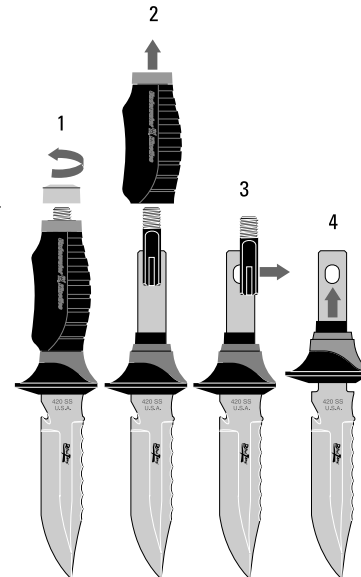
CARING FOR YOUR BLUE TANG

Although the Blue Tang is made from the best materials to withstand the harsh marine environment, a little extra care will increase the useful life of this knife.

Rinse before storage Before putting the Blue Tang away between dive trips, remove the handle as shown on the right and rinse with fresh water. This will prevent growth of salt crystals and long term rust of steel blades under the handle. Titanium will not rust, but salt crystals will still accumulate.

Keep the blade sharp A dive knife is often used as a tool for activities beyond cutting and slicing. Acts such as prying, hammering and stabbing, etc. can destroy the cutting edge of the knife. When you really need to use the knife for cutting the performance will not be as expected. We recommend that you keep the blade sharp using the sharpening steels and stones used for other cutlery. There are many techniques published in books and on the web.

Inspect the sheath before diving Before diving inspect the knife locking mechanism of the sheath. Insert the knife and make sure that it locks in place. If not look for mud or seaweed in the mechanism which may prevent proper operation.



CAUTION

Blades are sharp and can cause severe lacerations. Always cover blade surfaces with a towel or heavy material when taking the knife apart or during assembly.

European Warranty

Underwater Kinetics warrants that this product is free from defects in materials and manufacturing for a period of 10 years from the date of purchase under normal use. In addition, the Underwater Kinetics Limited Warranty covers materials used in its products to the original purchaser, from the date of purchase, as follows: plastics for 10 years; rubber for 3 years, LED and electronics for 1 year, rechargeable batteries for 90 days (batteries and lamps are not manufactured by Underwater Kinetics). This warranty is limited to the first purchaser of the product and is not transferable. This product is not warranted if it is modified or used inappropriately.

If the original retail purchaser detects a defect in the material or workmanship, the product along with proof of purchase date should be returned (postage prepaid) to an authorized Underwater Kinetics dealer in the area or directly to UKE Underwater Kinetics Europe. Underwater Kinetics agrees to repair or replace at Underwater Kinetics' sole discretion any product found to be defective in material or workmanship within the time period specified above. This warranty is not valid when handled by third parties which are not authorized by Underwater Kinetics or its distributors. Nothing contained within these warranty terms detracts from your Statutory Rights.

Address all correspondence and returns to:
UKE Underwater Kinetics Europe GmbH
Beethovenstr. 279
42655 Solingen, Germany
Tel.: +49 212 242 13-0 E-Mail: info@uwkinetics.eu
Fax: +49 212 242 13-30 web: www.uwkinetics.eu